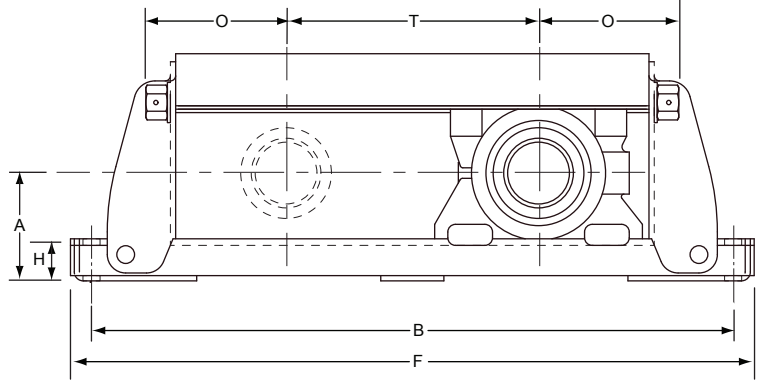
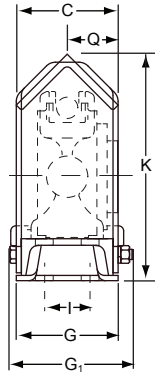


Protected Screw Takeup Assembly JNT-2000

- 2000 Series roller bearing
- Normal duty rating
- Welded steel frame



SHAFT SIZE	COMPLETE ASSY. NUMBER	COMPLETE ASSY. WT.	FRAME ASSY. NUMBER	FRAME ASSY. WT.	ALLOWABLE WORKING LOAD †	A	B	C	F	G	G ₁	H	I	K	TRAVEL T	O	Q	REQ. BOLTS			
																		NO.	SIZE		
1 ¹⁵ / ₁₆ 2	JNT6-2115 JNT6-2200	12	44	JN6	12	3,000	3 ¹⁵ / ₁₆	26 ¹ / ₂	2 ⁷ / ₈	28 ¹ / ₂	3 ¹ / ₂	4 ¹ / ₈	1 ³ / ₄	—	8 ¹ / ₄	12	7 ¹ / ₄	1 ⁷ / ₈	2	5/8	
		18	49		18			34		32 ¹ / ₂						34 ¹ / ₂					18
		24	55		24			40		40 ¹ / ₂						46 ¹ / ₂					24
		30	60		30			45		44 ¹ / ₂						52 ¹ / ₂					30
		36	65		36			50		50 ¹ / ₂											36
2 ³ / ₁₆	JNT7-2203	12	52	JN7	12	3,600	4 ³ / ₁₆	27 ¹ / ₂	3 ¹ / ₈	29 ¹ / ₂	3 ¹ / ₂	4 ¹ / ₈	1 ³ / ₄	—	8 ¹¹ / ₁₆	12	7 ³ / ₄	2	2	5/8	
		18	58		18			41		33 ¹ / ₂						35 ¹ / ₂					18
		24	64		24			47		39 ¹ / ₂						41 ¹ / ₂					24
		30	71		30			54		45 ¹ / ₂						47 ¹ / ₂					30
		36	76		36			59		51 ¹ / ₂						53 ¹ / ₂					36
2 ⁷ / ₁₆ 2 ¹ / ₂	JNT8-2207 JNT8-2208	12	84	JN8	12	4,400	4 ³ / ₈	28 ¹ / ₂	3 ³ / ₈	30 ¹ / ₂	3 ¹ / ₂	4 ¹ / ₈	1 ³ / ₄	—	9 ¹ / ₄	12	8 ¹ / ₄	2 ¹ / ₈	2	3/4	
		18	89		18			67		34 ¹ / ₂						36 ¹ / ₂					18
		24	94		24			72		40 ¹ / ₂						42 ¹ / ₂					24
		30	99		30			78		46 ¹ / ₂						48 ¹ / ₂					30
		36	104		36			82		52 ¹ / ₂						54 ¹ / ₂					36
2 ¹ / ₁₆ 2 ¹⁵ / ₁₆ 3	JNT9-2211 JNT9-2215 JNT9-2300	12	99	JN9	12	6,800	5 ¹ / ₈	30 ¹ / ₂	3 ⁵ / ₈	32 ¹ / ₂	4 ¹ / ₂	5 ¹ / ₈	2	2	10 ¹³ / ₁₆	12	9 ¹ / ₄	2 ³ / ₈	4	3/4	
		18	107		18			77		36 ¹ / ₂						38 ¹ / ₂					18
		24	115		24			85		42 ¹ / ₂						44 ¹ / ₂					24
		30	123		30			93		48 ¹ / ₂						50 ¹ / ₂					30
		36	131		36			101		54 ¹ / ₂						56 ¹ / ₂					36
3 ⁷ / ₁₆ 3 ¹ / ₂	JNT10-2307 JNT10-2308	12	114	JN10	12	8,400	5 ⁵ / ₈	32	4 ¹ / ₃₂	34 ¹ / ₄	4 ¹ / ₂	5 ⁵ / ₈	2	2	12 ⁷ / ₁₆	12	10	2 ¹⁹ / ₃₂	4	3/4	
		18	122		18			78		38						40 ¹ / ₄					18
		24	130		24			86		44						46 ¹ / ₄					24
		30	138		30			94		50						52 ¹ / ₄					30
		36	146		36			102		56						58 ¹ / ₄					36
3 ¹ / ₁₆ 3 ¹⁵ / ₁₆ 4	JNT11-2311 JNT11-2315 JNT11-2400	12	227	JN11	12	15,600	7	36	4 ¹⁹ / ₃₂	38 ¹ / ₂	5 ¹ / ₂	6 ⁷ / ₈	2 ¹ / ₄	2 ¹ / ₂	14 ⁵ / ₈	12	12	2 ³¹ / ₃₂	4	3/4	
		18	238		18			141		42						44 ¹ / ₂					18
		24	250		24			153		48						50 ¹ / ₂					24
		30	261		30			164		54						56 ¹ / ₂					30
		36	273		36			176		60						62 ¹ / ₂					36

NOTES: 1) Dimensions subject to change. Certified dimensions of ordered material furnished on request.

† Allowable working load is ²/₃ yield strength.

Jones Bearing Company

P.O. Box 274 Highway 72 East • Pelham, Alabama 35124 • USA

Phone: 205-663-3